

# ARCA 302015T No MP

---



Sample image

**Order symbol :** ARCA 302015T No MP

**Product nr :** 8121002N

**Description :** Cabinet, PC

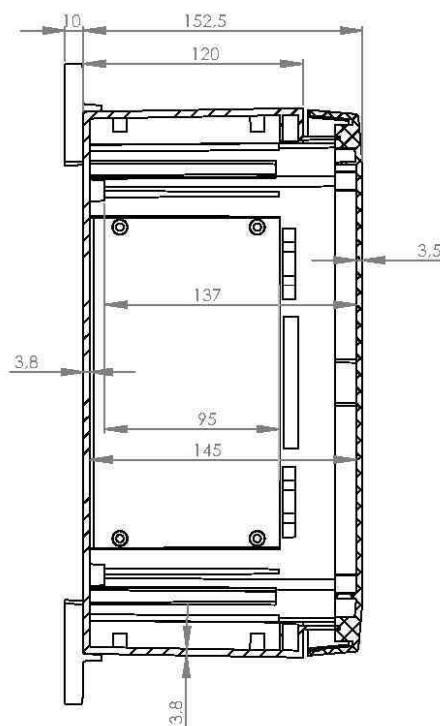
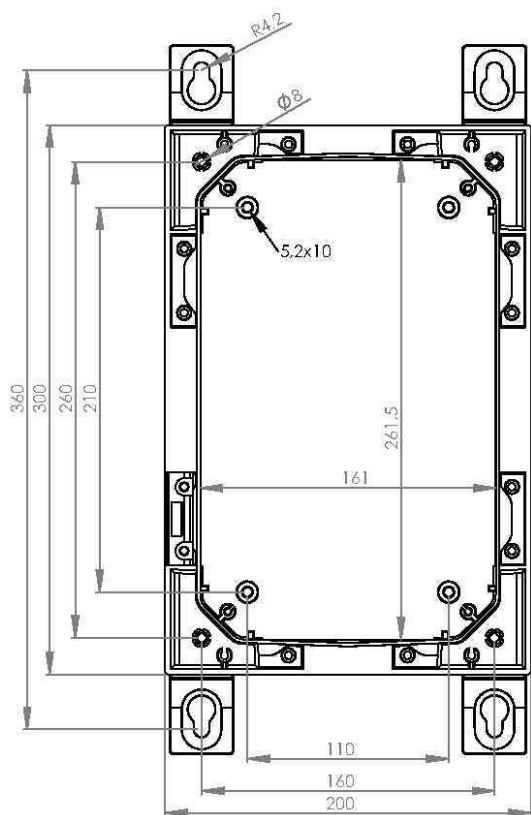
**Remarks :** Transparent cover, 1-point locking, hinges on the long side, without mountingplate

**EAN :** 6418074318640

**El. number :**

- Finland : 3425165
- Denmark : 8212056352
- Sweden : 2506796

**Including :** Cabinet base, door with PUR gasket. 3mm double bit lock(s) with key. S versions with swinghandle 2-point locking system. Door guide included.



Dimensions :	Height	Width	Depth
mm :	300	200	150
inch :	11.81	7.87	5.91

#### Materials :

Material :	Polycarbonate
Base colour :	RAL_7035
Cover colour :	Smoked grey
Gasket material :	Polyurethane

#### Temperatures :

Temperature °C (continuous) :	-40 ... 80
Temperature °F (continuous) :	-40 ... 175

#### Accessories :

MPP ARCA 3020	Mounting plate perforated (250x150x2 mm - 26x11 mm) (250 x 150 x 2)
DRS ARCA 302015	DIN rail frame set (285 x 185 x 35)
MPMP ARCA 3020	Mounting plate multiperforated (250x150x2 mm - ø3.6 mm) (250 x 150 x 1.5)
PMK ARCA 20	PoleMounting kit, for pole ø100-300mm (385 x 285 x 35)
RCS ARCA 3020	Rain canopy set for size 3020 (30 x 200 x 20)
MPS ARCA 3020	Mounting plate (250x150x2 mm) (250 x 150 x 2)
IDS ARCA 3020	Inner door set (285 x 185 x 35)
MPX ARCA 3020	Mounting plate (250x150 mm) (250 x 150 x 5)

#### Ratings :

Ingress protection (EN 60529):	IP66;
Impact Resistance (EN 62262):	IK09;
electrical_insulation :	Totally insulated

Halogen free (DIN/VDE 0472, Part 815) :	Yes
UV resistance :	UL 746C
Flammability Rating :	UL 94 5VA
Glow Wire Test (IEC 695-2-1) °C :	960C
UL Type	1, 4, 4X, 12, 13

**Certificates :**

Certificate FI 40467