

ARCA 406021T No MP



Sample image

Order symbol : ARCA 406021T No MP

Product nr : 8121026N

Description : Cabinet, PC

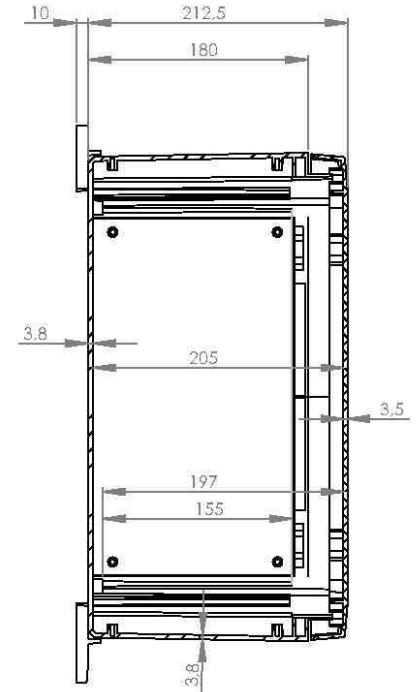
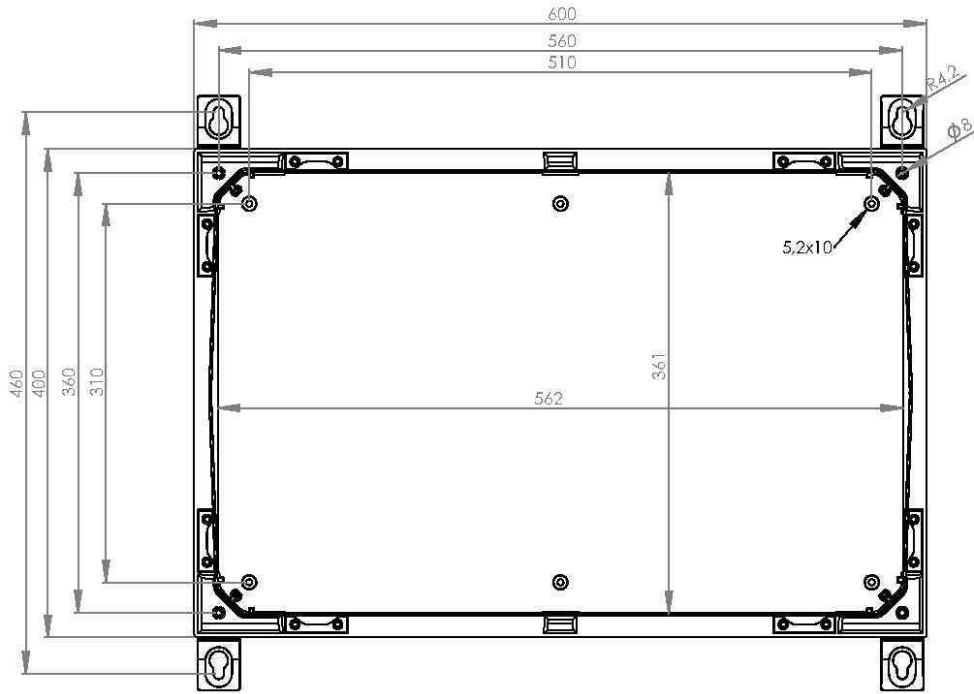
Remarks : Transparent cover, 2-point locking, hinges on the short side, without mountingplate

EAN : 6418074318909

El. number :

- Finland : 3425145
- Denmark : 8212056459
- Sweden : 2507059

Including : Cabinet base, door with PUR gasket. 3mm double bit lock(s) with key. S versions with swinghandle 2-point locking system. Door guide included.



| Dimensions : | Height | Width | Depth |
|--------------|--------|-------|-------|
| mm : | 400 | 600 | 210 |
| inch : | 15.75 | 23.62 | 8.27 |

Materials :

| | |
|-------------------|---------------|
| Material : | Polycarbonate |
| Base colour : | RAL_7035 |
| Cover colour : | Smoked grey |
| Gasket material : | Polyurethane |

Temperatures :

| | |
|-------------------------------|-------------|
| Temperature °C (continuous) : | -40 ... 80 |
| Temperature °F (continuous) : | -40 ... 175 |

Accessories :

| | |
|-----------------|---|
| MPS ARCA 6040 | Mounting plate (550x350x2 mm) (550 x 350 x 2) |
| PMK ARCA 60 | PoleMounting kit, for pole ø100-300mm (585 x 385 x 35) |
| MPP ARCA 4060 | Mounting plate perforated (550x350x2 mm - 26x11 mm) (350 x 550 x 2) |
| DSP ARCA HRS | Door stopper ARCA, horizontal, right, small (15 x 104 x 16) |
| IDS ARCA 4060 | Inner door set |
| DSP ARCA HLS | Door stopper ARCA, horizontal, left, small (15 x 104 x 16) |
| MPMP ARCA 6040 | Mounting plate multiperforated (550x350x2 mm - ø3.6 mm) (550 x 350 x 1.5) |
| DRS ARCA 406021 | DIN rail frame set (585 x 385 x 35) |
| MPX ARCA 6040 | Mounting plate (550x350 mm) (550 x 350 x 5) |
| RCS ARCA 4060 | Rain canopy set for size 4060 (30 x 600 x 20) |

Ratings :

| | |
|---|-------------------|
| Ingress protection (EN 60529): | IP66; |
| Impact Resistance (EN 62262): | IK09; |
| electrical_insulation : | Totally insulated |
| Halogen free (DIN/VDE 0472, Part 815) : | Yes |
| UV resistance : | UL 746C |
| Flammability Rating : | UL 94 5VA |
| Glow Wire Test (IEC 695-2-1) °C : | 960C |
| UL Type | 1, 4, 4X, 12, 13 |

Certificates :

Certificate FI 40467