

CAB ABSQ 302017 T

FIBOX
Enclosing innovations

Sample image

Order symbol : CAB ABSQ 302017 T

EAN : 6418074011213

Product nr : 8183038

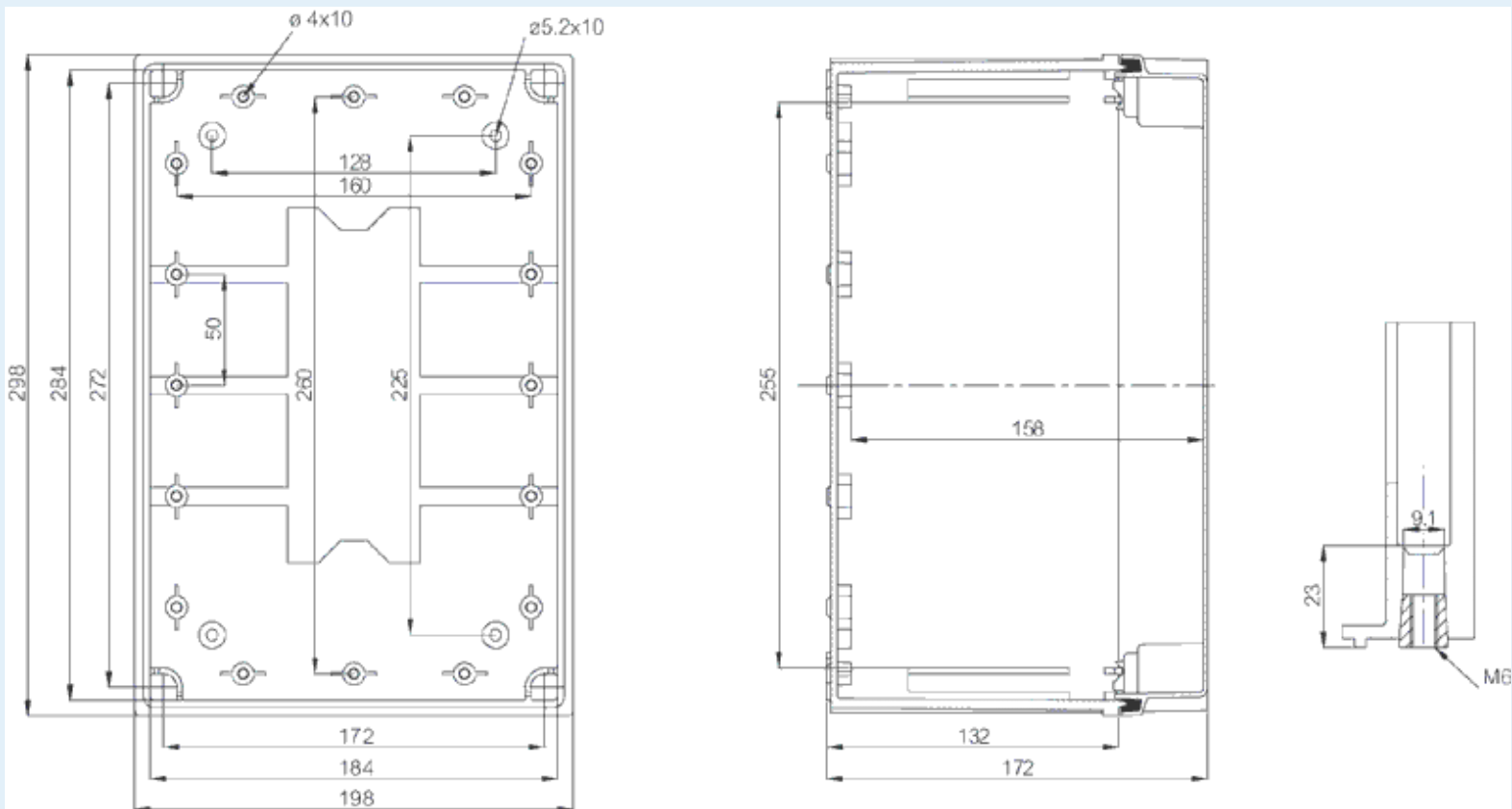
El. number :

Description : Cabinet, ABS

• Finland : 3424352

Remarks : Smoked transparent cover

Including : Base with screws for mounting plate/DIN-rail. internal corner plugs. cover with PUR gasket and CS 12137 cover screws.



Dimensions :	Height	Width	Depth
mm :	300	200	170
inch :	11.81	7.87	6.69

Materials :

Material :	ABS
Base colour :	RAL_7035

Accessories :

PAT 12040	Hinge set (45 x 35 x 25)
MB 12225 AL	Swing door set (20 x 20 x 80)
EKIV 27	DIN-35 Mounting rail, for enclosures: (266 x 35 x 1.5)
FP A 23	Swing-out door/Front plate (aluminium), for enclosures: (168 x 268 x 1)

Cover colour :	Clear transparent
Gasket material :	Polyurethane

EKIV 17	DIN-35 Mounting rail, for enclosures: (166 x 35 x 1.5)
---------	---

EKIV 23	Mounting plate, for enclosures: (170 x 270 x 1.5)
---------	--

Temperatures :

Temperature °C (continuous) :	-40 ... 60
Temperature °F (continuous) :	-40 ... 140

Ratings :

Ingress protection (EN 60529):	IP66; IP67;
Impact Resistance (EN 62262):	IK08;
electrical_insulation :	Totally insulated
Halogen free (DIN/VDE 0472, Part 815) :	Yes
UV resistance :	-
Flammability Rating :	UL 94 HB
Glow Wire Test (IEC 695-2-1) °C :	650C

Certificates :

Certificate FI 40848