

CAB ABS 504020 T

Sample image

Order symbol : CAB ABS 504020 T

Product nr : 8183060

Description : Cabinet, ABS, Smoked transparent door

Remarks : Latches on the long side

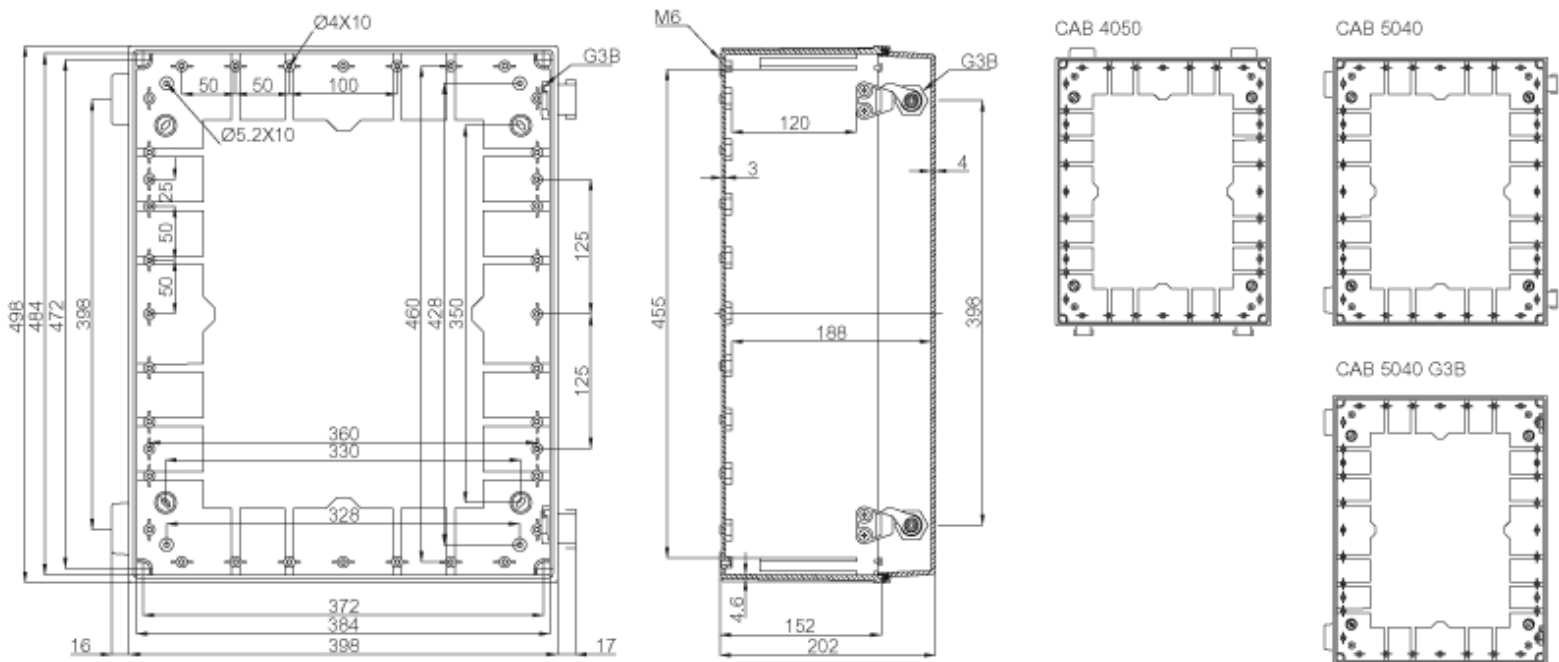
EAN : 6418074020390

EI. number :

- Finland : 3424370
- Denmark : 8212020579
- Sweden : 2540047

Including : Cabinet base. door with PUR gasket. latches. screws for mounting plate/ DIN-rail and corner plugs.

CAB 500x400x200



Dimensions :	Height	Width	Depth
mm :	500	400	200
inch :	19.69	15.75	7.87

Ratings :	
Ingress protection (EN 60529):	IP65;
Impact Resistance (EN 62262):	IK08;
electrical_insulation :	Totally insulated
Halogen free (DIN/VDE 0472, Part 815) :	Yes
UV resistance :	-

Materials :	
Material :	ABS

Base colour : RAL_7035
Cover colour : Clear transparent
Gasket material : Polyurethane

Flammability Rating : UL 94 HB
Glow Wire Test (IEC 695-2-1) °C : 650C

Temperatures :

Temperature °C (continuous) : -40 ... 60
Temperature °F (continuous) : -40 ... 140

Certificates :

Certificate FI 40854