

CAB ABS 203018 G



Sample image

Order symbol : CAB ABS 203018 G

EAN : 6418074020086

Product nr : 8183331

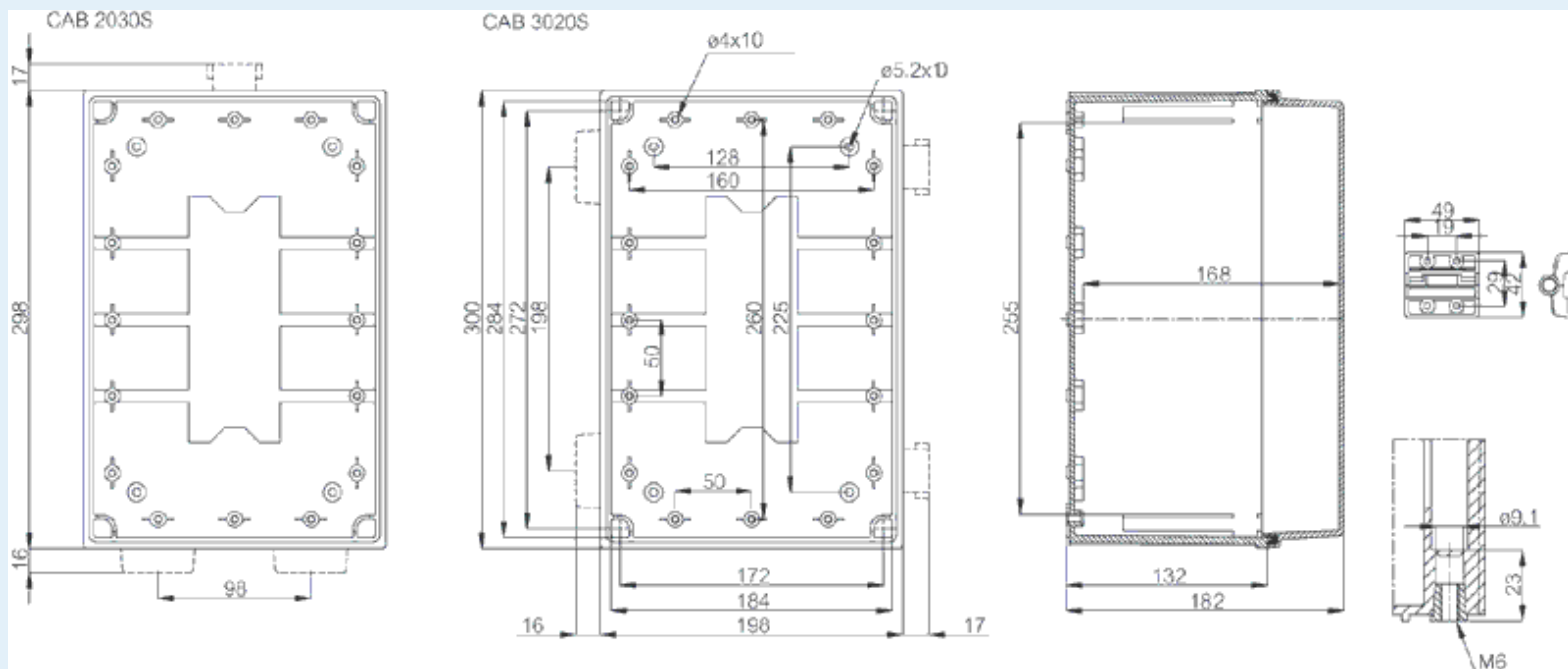
El. number :

Description : Cabinet, ABS, Grey door

- Finland : 3424303
- Denmark : 8212020702
- Sweden : 2540063

Remarks : Latch on the short side

Including : Cabinet base. door with PUR gasket. latches. screws for mounting plate/ DIN-rail and corner plugs.



Dimensions :	Height	Width	Depth
mm :	200	300	180
inch :	7.87	11.81	7.09

Materials :

Material :	ABS
Base colour :	RAL_7035
Cover colour :	RAL 7035 -light grey
Gasket material :	Polyurethane

Accessories :

MB 12225	Swing door set (20 x 20 x 80)
AL	
EKIV 27	DIN-35 Mounting rail, for enclosures: (266 x 35 x 1.5)
FP A 23	Swing-out door/Front plate (aluminium), for enclosures: (168 x 268 x 1)
EKIV 17	DIN-35 Mounting rail, for enclosures: (166 x 35 x 1.5)
EKIV 23	Mounting plate, for enclosures: (170 x 270 x 1.5)

Temperatures :

Temperature °C (continuous) :	-40 ... 60
Temperature °F (continuous) :	-40 ... 140

Ratings :

Ingress protection (EN 60529):	IP65;
Impact Resistance (EN 62262):	IK08;
electrical_insulation :	Totally insulated
Halogen free (DIN/VDE 0472, Part 815) :	Yes
UV resistance :	-
Flammability Rating :	UL 94 HB
Glow Wire Test (IEC 695-2-1) °C :	650C

Certificates :

Certificate FI 40854