

# JB 2.5 WH



Sample image

**Order symbol :** JB 2.5 WH

**Product nr :** 8600671

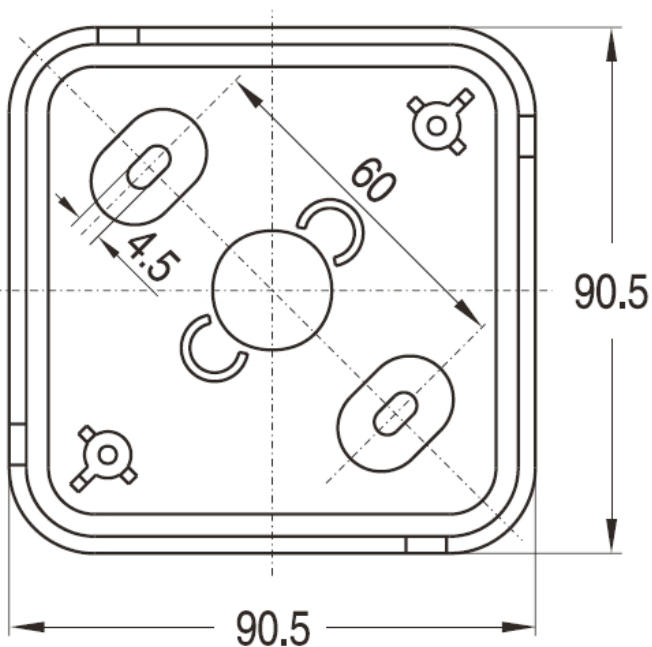
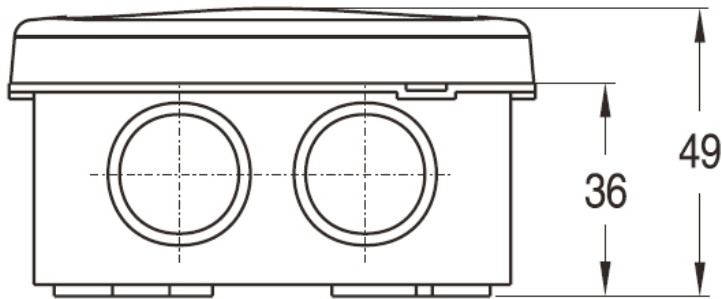
**Description :** Junction box 2.5 mm<sup>2</sup>, PP, white

**Remarks :** Integrated membranes

**EAN :** 6418074308566

**El. number :**

- Finland : 1606524
- Denmark : 8212097010
- Sweden : 1438288



**Dimensions :**

	<b>Height</b>	<b>Width</b>	<b>Depth</b>
mm :	95	95	49
inch :	3.74	3.74	1.93

**Accessories :**

ITS 6	Terminal strip, up to 6mm <sup>2</sup> , 500 V hole-type, 5-terminal strip (90 x 10 x 20)
----------	---

**Materials :**

Material :	Polypropylene
Base colour :	RAL_9010
Cover colour :	RAL 9010
Gasket material :	TPE

**Ratings :**

Ingress protection (EN 60529):	IP65;
electrical_insulation :	Totally insulated
Halogen free (DIN/VDE 0472, Part 815) :	Yes
UV resistance :	-
Glow Wire Test (IEC 695-2-1) °C :	650C

**Temperatures :**

Temperature °C (continuous) :	-25 ... 60
Temperature °F (continuous) :	-13...140°F