

JB 6 G



Sample image

Order symbol : JB 6 G

Product nr : 8600672

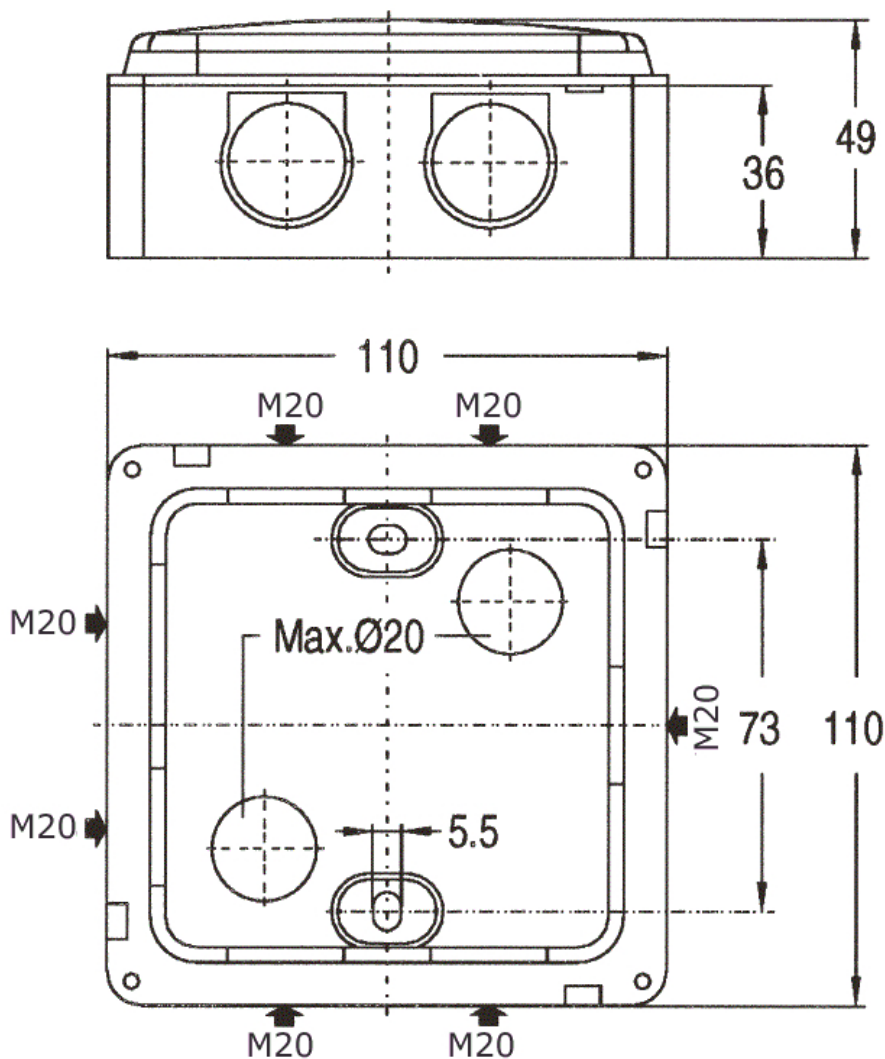
Description : Junction box 6 mm², PP

Remarks : Integrated membranes

EAN : 6418074307866

El. number :

- Finland : 1606525
- Denmark : 8212097023
- Sweden : 1438290



Dimensions :

	Height	Width	Depth
mm :	110	110	49
inch :	4.33	4.33	1.93

Materials :

Material :	Polypropylene
Base colour :	RAL_7035
Cover colour :	RAL 7035 -light grey
Gasket material :	TPE

Temperatures :

Temperature °C (continuous) :	-25 ... 60
Temperature °F (continuous) :	-13...140°F

Accessories :

GPA M20	Cable gland (IP 68 - 5 bar), M20x1,5 (36 x 28 x 28)
ICS	Cover fastening screws for JB 6 (5 x 5 x 10)
IES	Tube entry socket for JB 6 (20 x 20 x 20)

Ratings :

Ingress protection (EN 60529):	IP65;
electrical_insulation :	Totally insulated
Halogen free (DIN/VDE 0472, Part 815) :	Yes
UV resistance :	-
Glow Wire Test (IEC 695-2-1) °C :	650C