

# PC D 65 T



Sample image

**Order symbol :** PC D 65 T

**Product nr :** 8724007

UL Name : UL PC D 65 T

**Description :** Enclosure, PC

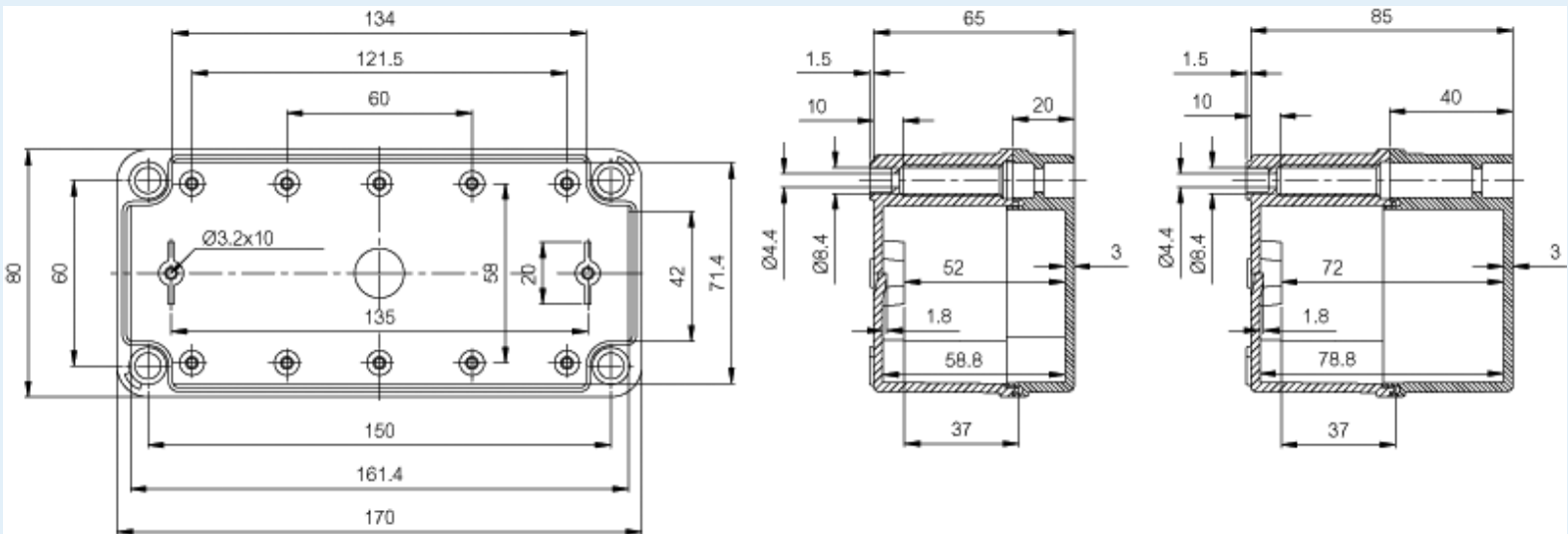
**Remarks :** Transparent cover

**EAN :** 6418074002105

**El. number :**

- Finland : 3423509
- Denmark : 8212001569
- Sweden : 2536844

**Including :** Base with screws for mounting plate/DIN-rail. cover with PUR gasket and polyamide cover screws.



Dimensions :	Height	Width	Depth
mm :	170	80	65
inch :	6.69	3.15	2.56

#### Accessories :

- DH-3 DIN-35 Mounting rail, for enclosures: (140 x 35 x 7)
- D-MP Mounting plate, for enclosures: (140 x 54 x 1.5)

#### Materials :

Material :	Polycarbonate
Base colour :	RAL_7035
Cover colour :	Clear transparent
Gasket material :	Polyurethane

#### Ratings :

Ingress protection (EN 60529):	IP66; IP67;
Impact Resistance (EN 62262):	IK08;
electrical_insulation :	Totally insulated
Halogen free (DIN/VDE 0472, Part 815) :	Yes
UV resistance :	UL 746C

**Temperatures :**

Temperature °C (continuous) : -40 ... 80  
Temperature °F (continuous) : -40 ... 175

Flammability Rating :

UL 94 V0

Glow Wire Test (IEC 695-2-1) °C :

960C

**Certificates :**

SGSFIMKO\_PICC\_pc