

PC MH 125 T



Sample image

Order symbol : PC MH 125 T

Product nr : 8724019

Description : Enclosure, PC

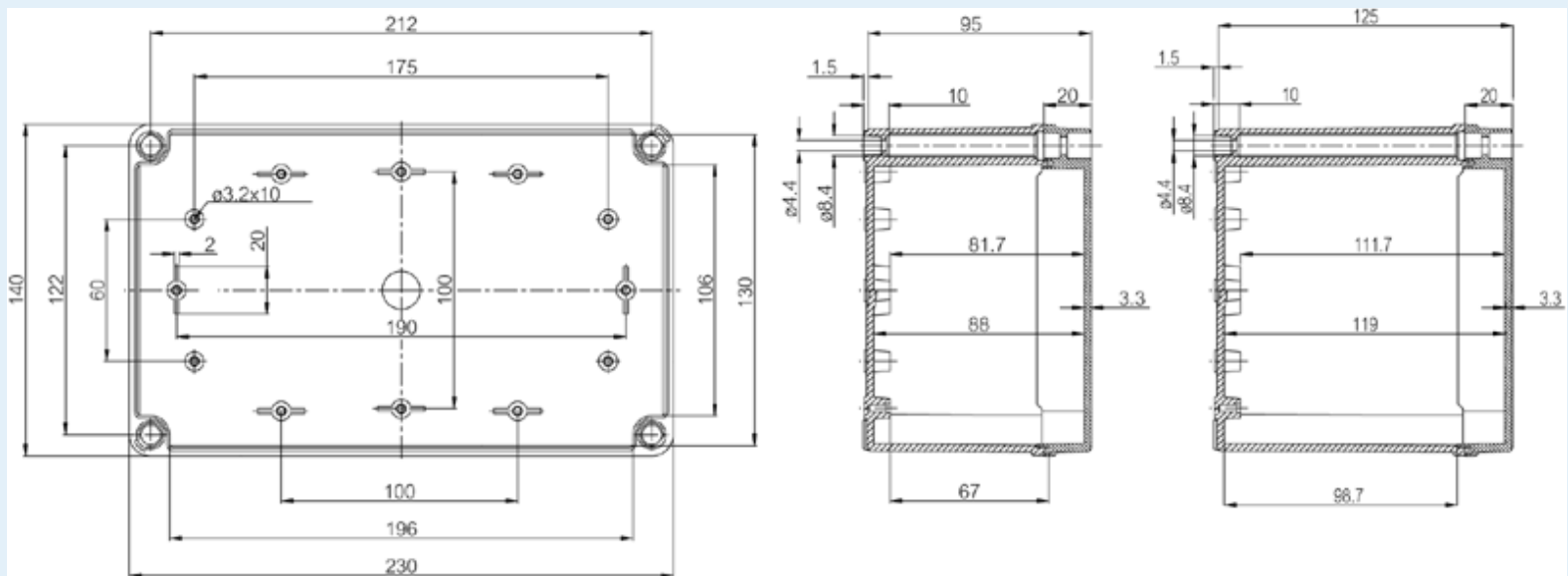
Remarks : Transparent cover

EAN : 6418074054579

El. number :

- Finland : 3423520
- Denmark : 8212001750
- Sweden : 2536861

Including : Base with screws for mounting plate/DIN-rail. cover with PUR gasket and polyamide cover screws.



Dimensions :

	Height	Width	Depth
mm :	230	140	125
inch :	9.06	5.51	4.92

Materials :

Material :	Polycarbonate
Base colour :	RAL_7035
Cover colour :	Clear transparent
Gasket material :	Polyurethane

Accessories :

CHM-3	DIN-35 Mounting rail, for enclosures: (110 x 35 x 7)
FM-3	DIN-35 Mounting rail, for enclosures: (35 x 200 x 1.5)
FP 22046	Wall fastening lug (4 pcs) (35 x 16 x 10)
M-MP	Mounting plate, for enclosures: (185 x 94 x 1.5)

Ratings :

Ingress protection (EN 60529):

IP66; IP67;

Temperatures :

Temperature °C (continuous) :	-40 ... 80
Temperature °F (continuous) :	-40 ... 175

Impact Resistance (EN 62262):	IK08;
electrical_insulation :	Totally insulated
Halogen free (DIN/VDE 0472, Part 815) :	Yes
UV resistance :	UL 746C
Flammability Rating :	UL 94 V0
Glow Wire Test (IEC 695-2-1) °C :	960C

Certificates :

SGSFIMKO_PICC_pc