

PC D 65 G



Sample image

Order symbol : PC D 65 G

Product nr : 8724307

UL Name : UL PC D 65 G

Description : Enclosure, PC

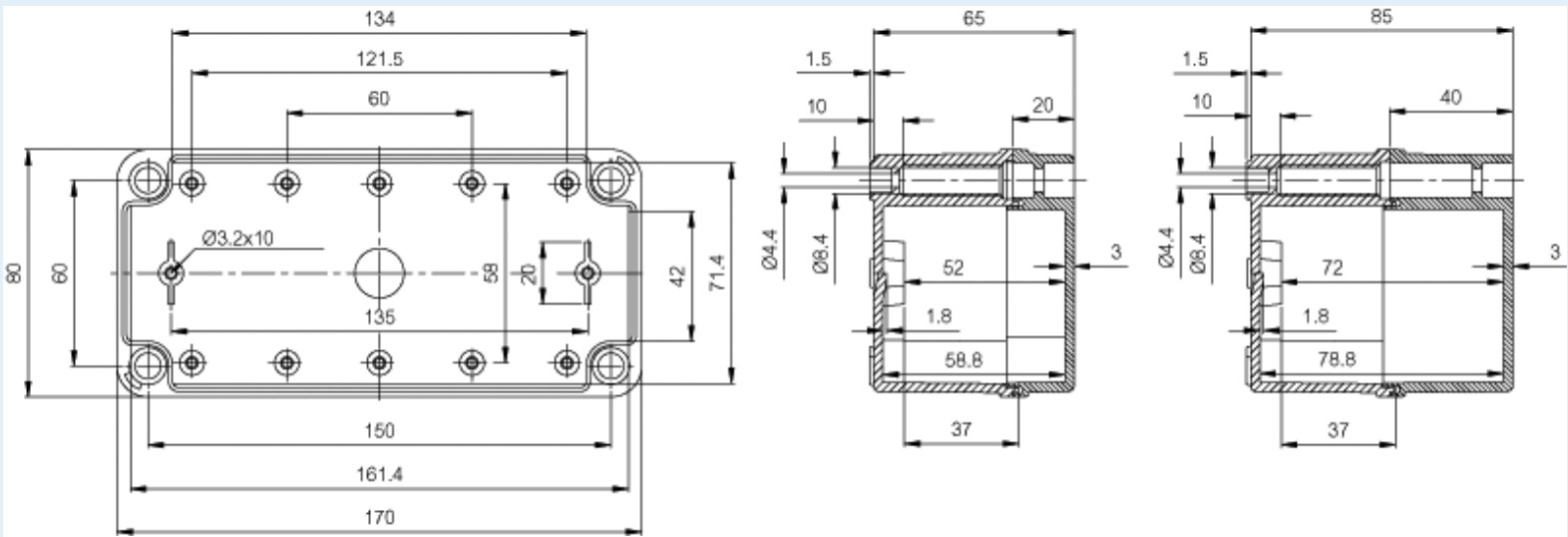
Remarks : Grey cover

EAN : 6418074002112

El. number :

- Finland : 3423409
- Denmark : 8212001556
- Sweden : 2536814

Including : Base with screws for mounting plate/DIN-rail. cover with PUR gasket and polyamide cover screws.



Dimensions :	Height	Width	Depth
mm :	170	80	65
inch :	6.69	3.15	2.56

Accessories :

- DH-3 DIN-35 Mounting rail, for enclosures:
(140 x 35 x 7)
- D-MP Mounting plate, for enclosures:
(140 x 54 x 1.5)

Materials :

Material :	Polycarbonate
Base colour :	RAL_7035
Cover colour :	RAL 7035 -light grey
Gasket material :	Polyurethane

Ratings :

Ingress protection (EN 60529):	IP66; IP67;
Impact Resistance (EN 62262):	IK08;
electrical_insulation :	Totally insulated
Halogen free (DIN/VDE 0472, Part 815) :	Yes
UV resistance :	UL 746C

Temperatures :

Temperature °C (continuous) : -40 ... 80
Temperature °F (continuous) : -40 ... 175

Flammability Rating :

UL 94 V0

Glow Wire Test (IEC 695-2-1) °C :

960C

Certificates :

SGSFIMKO_PICC_pc