

# PC F 65 G



Sample image

**Order symbol :** PC F 65 G

**Product nr :** 8724311

**Description :** Enclosure, PC

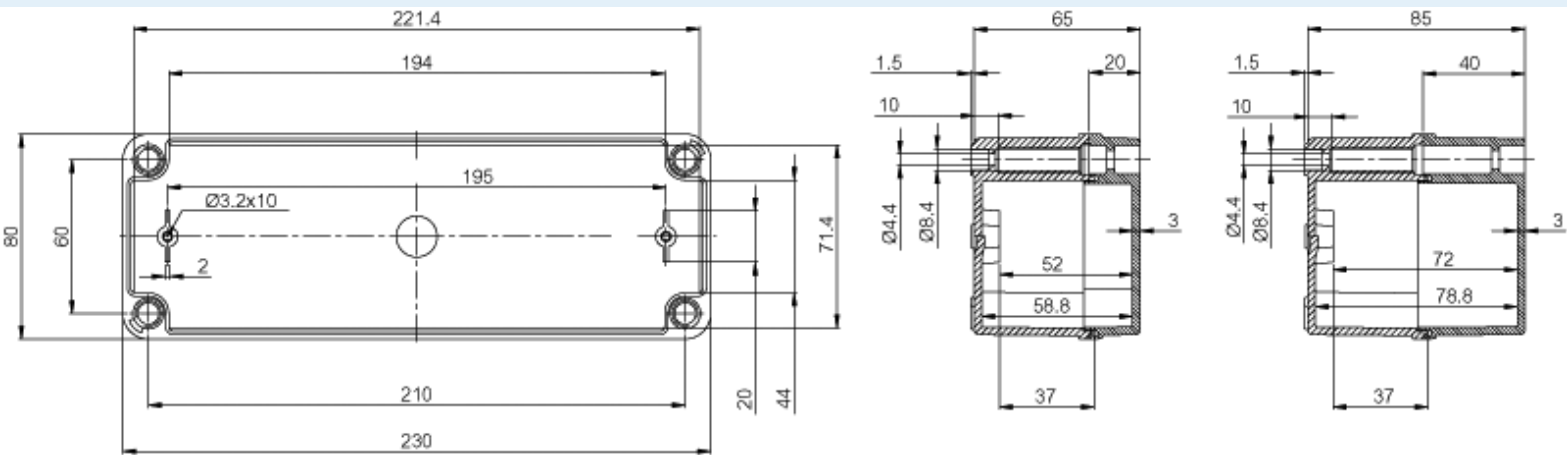
**Remarks :** Grey cover

**EAN :** 6418074002198

**El. number :**

- Finland : 3423413
- Denmark : 8212001611
- Sweden : 2536820

**Including :** Base with screws for mounting plate/DIN-rail. cover with PUR gasket and polyamide cover screws.



Dimensions :	Height	Width	Depth
mm :	230	80	65
inch :	9.06	3.15	2.56

#### Accessories :

- F-MP Mounting plate, for enclosures:  
(200 x 54 x 1.5)
- FM-3 DIN-35 Mounting rail, for enclosures:  
(35 x 200 x 1.5)

#### Materials :

Material :	Polycarbonate
Base colour :	RAL_7035
Cover colour :	RAL 7035 -light grey
Gasket material :	Polyurethane

#### Ratings :

Ingress protection (EN 60529):	IP66; IP67;
Impact Resistance (EN 62262):	IK08;
electrical_insulation :	Totally insulated
Halogen free (DIN/VDE 0472, Part 815) :	Yes
UV resistance :	UL 746C
Flammability Rating :	UL 94 V0
Glow Wire Test (IEC 695-2-1) °C :	960C

#### Temperatures :

Temperature °C (continuous) :	-40 ... 80
-------------------------------	------------

Temperature °F (continuous) :

-40 ... 175

**Certificates :**

SGSFIMKO\_PICC\_pc