

# ABS D 65 T

Sample image

**Order symbol :** ABS D 65 T

**EAN :** 6418074002143

**Product nr :** 8784007

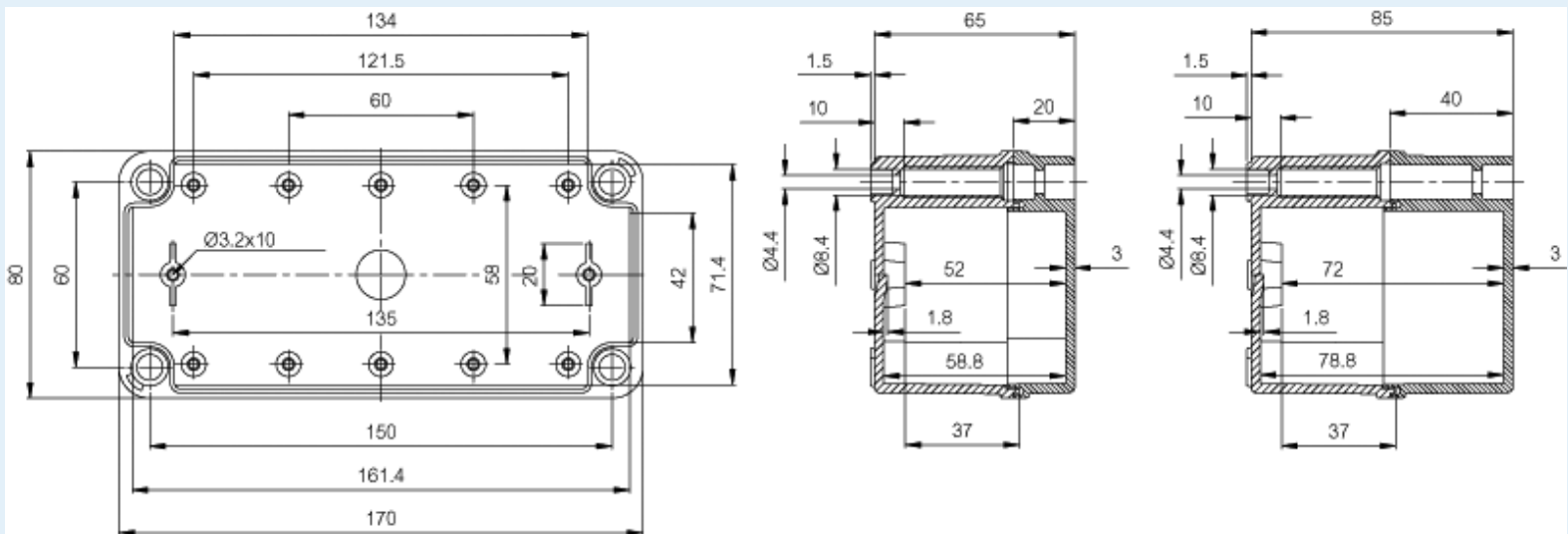
**El. number :**

**Description :** Enclosure, ABS

- Finland : 3423559
- Denmark : 8212001899
- Sweden : 2536744

**Remarks :** Transparent cover

**Including :** Base with screws for mounting plate/DIN-rail. cover with PUR gasket and polyamide cover screws.



**Dimensions :**

	Height	Width	Depth
mm :	170	80	65
inch :	6.69	3.15	2.56

**Accessories :**

DH-3	DIN-35 Mounting rail, for enclosures: (140 x 35 x 7)
D-MP	Mounting plate, for enclosures: (140 x 54 x 1.5)

**Materials :**

Material :	ABS
Base colour :	RAL 7035 -light grey
Gasket material :	Polyurethane

**Temperatures :**

Temperature °F (continuous) :	-40 ... 140
-------------------------------	-------------

**Ratings :**

Ingress protection (EN 60529) :	IP66; IP67;
Impact Resistance (EN 62262) :	IK08;
electrical_insulation :	Totally insulated
Halogen free (DIN/VDE 0472, Part 815) :	Yes
UV resistance :	-
Flammability Rating :	UL 94 HB
Glow Wire Test (IEC 695-2-1) °C :	650C

**Certificates :**

SGSFIMKO\_PICC\_pc