

ABS D 85 T

Sample image

Order symbol : ABS D 85 T

Product nr : 8784008

Description : Enclosure, ABS

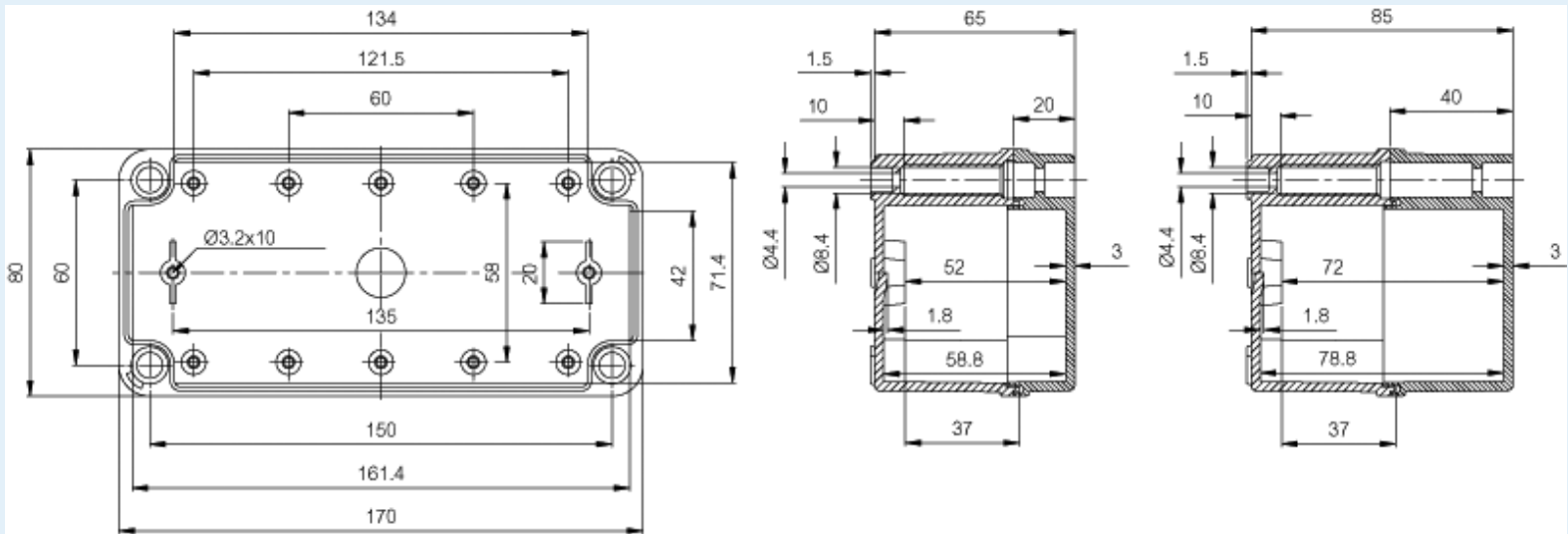
Remarks : Transparent cover

EAN : 6418074002167

El. number :

- Finland : 3423561
- Denmark : 8212001925
- Sweden : 2536747

Including : Base with screws for mounting plate/DIN-rail. cover with PUR gasket and polyamide cover screws.



Dimensions :

	Height	Width	Depth
mm :	170	80	85
inch :	6.69	3.15	3.35

Materials :

Material :	ABS
Base colour :	RAL 7035 -light grey
Gasket material :	Polyurethane

Temperatures :

Temperature °F (continuous) :	-40 ... 140
-------------------------------	-------------

Accessories :

DH-3	DIN-35 Mounting rail, for enclosures: (140 x 35 x 7)
D-MP	Mounting plate, for enclosures: (140 x 54 x 1.5)

Ratings :

Ingress protection (EN 60529) :	IP66; IP67;
Impact Resistance (EN 62262) :	IK08;
electrical_insulation :	Totally insulated
Halogen free (DIN/VDE 0472, Part 815) :	Yes
UV resistance :	-
Flammability Rating :	UL 94 HB
Glow Wire Test (IEC 695-2-1) °C :	650C

Certificates :

SGSFIMKO_PICC_pc