

# ABS F 85 T

Sample image

**Order symbol :** ABS F 85 T

**Product nr :** 8784012

**Description :** Enclosure, ABS

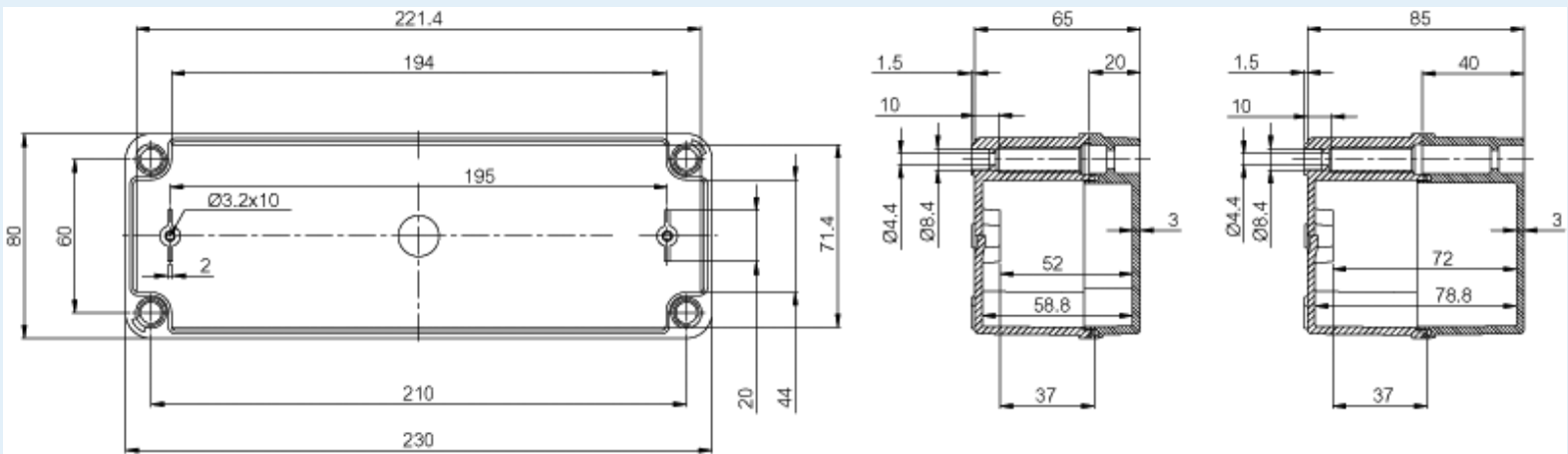
**Remarks :** Transparent cover

**EAN :** 6418074002242

**El. number :**

- Finland : 3423565
- Denmark : 8212001967
- Sweden : 2536753

**Including :** Base with screws for mounting plate/DIN-rail. cover with PUR gasket and polyamide cover screws.



<b>Dimensions :</b>	<b>Height</b>	<b>Width</b>	<b>Depth</b>
mm :	230	80	85
inch :	9.06	3.15	3.35

## **Materials :**

Material :	ABS
Base colour :	RAL 7035 -light grey
Cover colour :	RAL 7035 -light grey
Gasket material :	Polyurethane

## **Temperatures :**

Temperature °F (continuous) :	-40 ... 140
-------------------------------	-------------

## **Accessories :**

F-MP	Mounting plate, for enclosures: (200 x 54 x 1.5)
FM-3	DIN-35 Mounting rail, for enclosures: (35 x 200 x 1.5)

## **Ratings :**

Ingress protection (EN 60529):	IP66; IP67;
Impact Resistance (EN 62262):	IK08;
electrical_insulation :	Totally insulated
Halogen free (DIN/VDE 0472, Part 815) :	Yes
UV resistance :	-
Flammability Rating :	UL 94 HB
Glow Wire Test (IEC 695-2-1) °C :	650C

## **Certificates :**

SGSFIMKO\_PICC\_pc

