

ABS C 65 G



Sample image

Order symbol : ABS C 65 G

Product nr : 8784305

Description : Enclosure, ABS

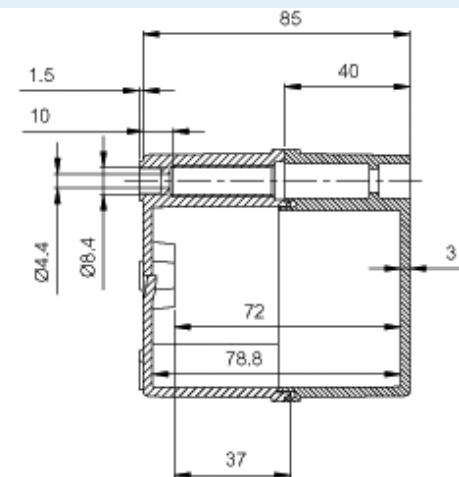
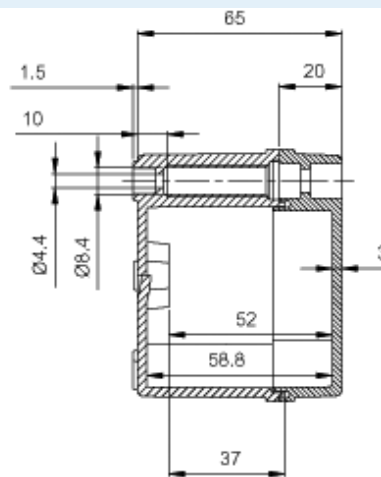
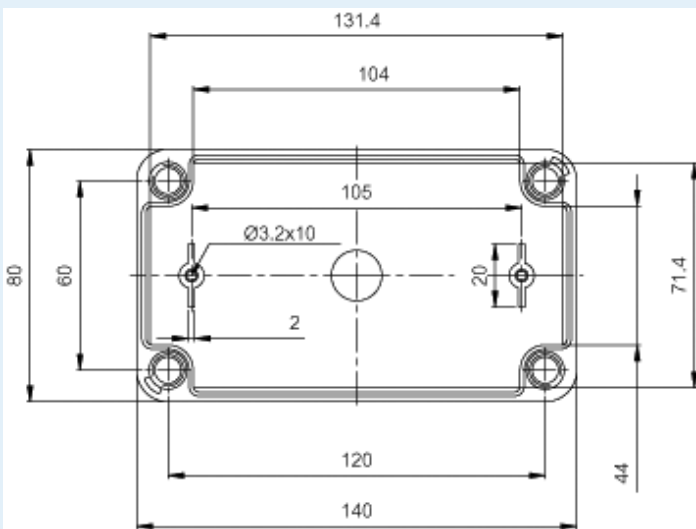
Remarks : Grey cover

EAN : 6418074002075

El. number :

- Finland : 3423455
- Denmark : 8212001844
- Sweden : 2536707

Including : Base with screws for mounting plate/DIN-rail. cover with PUR gasket and polyamide cover screws.



| Dimensions : | Height | Width | Depth |
|--------------|--------|-------|-------|
| mm : | 140 | 80 | 65 |
| inch : | 5.51 | 3.15 | 2.56 |

Accessories :

- C-MP Mounting plate, for enclosures:
(110 x 54 x 1.5)
- CHM-3 DIN-35 Mounting rail, for enclosures:
(110 x 35 x 7)

Materials :

| | |
|-------------------|----------------------|
| Material : | ABS |
| Base colour : | RAL_7035 |
| Cover colour : | RAL 7035 -light grey |
| Gasket material : | Polyurethane |

Ratings :

| | |
|---|-------------------|
| Ingress protection (EN 60529): | IP66; IP67; |
| Impact Resistance (EN 62262): | IK08; |
| electrical_insulation : | Totally insulated |
| Halogen free (DIN/VDE 0472, Part 815) : | Yes |
| UV resistance : | - |

Temperatures :

Temperature °C (continuous) : -40 ... 60
Temperature °F (continuous) : -40 ... 140

Flammability Rating :

UL 94 HB

Glow Wire Test (IEC 695-2-1) °C :

650C

Certificates :

SGSFIMKO_PICC_pc